



Dedicated to improving vehicle fun, safety & performance



Installation Instructions

Front Anti-Sway Bar

all 122 and 1800 models

ipd #100977, 100978,

100979, 100980, 100950



SUGGESTED TOOLS

- 3/8 inch socket kit
- open/box end wrench se (SAE)
- 3/8 inch socket kit
- hacksaw
- floor jack
- jack stands

SAFETY WARNINGS



- Always support the vehicle with jack stands before working underneath
- Use only the parts supplied by ipd to install this kit
- Check ALL the fasteners for tightness before and after road testing the vehicle
- Do not use air impact wrench when re-installing bolts as stripped threads may result

REMOVAL

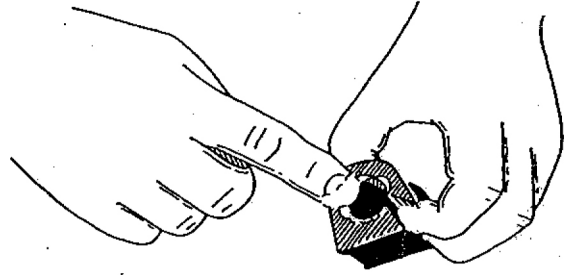
NOTE: On early (pre 1964) models the sway bar saddle bracket was a one bolt type instead of the later two bolt type. In order to utilize our bracket you must have a captive nut welded into the "slotted side" of the frame. This should be done by someone familiar with welding and fabrication.

- 1 Remove original equipment sway bar and brackets. Disconnect end links at the end of each arm first. (If the long bolt is rusted to the spacer sleeve and won't drive out, you will need to cut off the bolt head to remove the end link assembly). Next remove the saddle brackets which hold the sway bar to the center of the frame. Remove old rubber grommets from end links.

INSTALLATION

- 2 Coat the inside of the bushings with the provided grease. This will assure quiet operation and longest bushing life. Place the bushings on the bar using the old bar to line up the proper spacing.

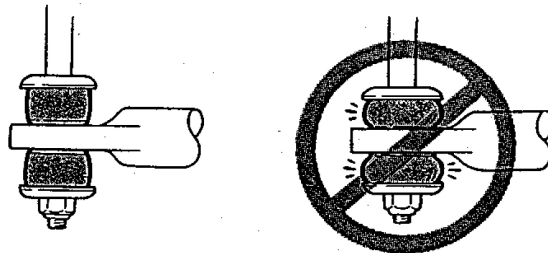
Note: On cars where the sway bar has a "dip" in the center, the dip always goes down.



- 3 Place urethane grommets on the end links. Note that the larger grommets go next to the sway bar with the smaller grommets next to the lower A-arm. Leave the last grommet (larger size) for positioning on the top the sway bar end.

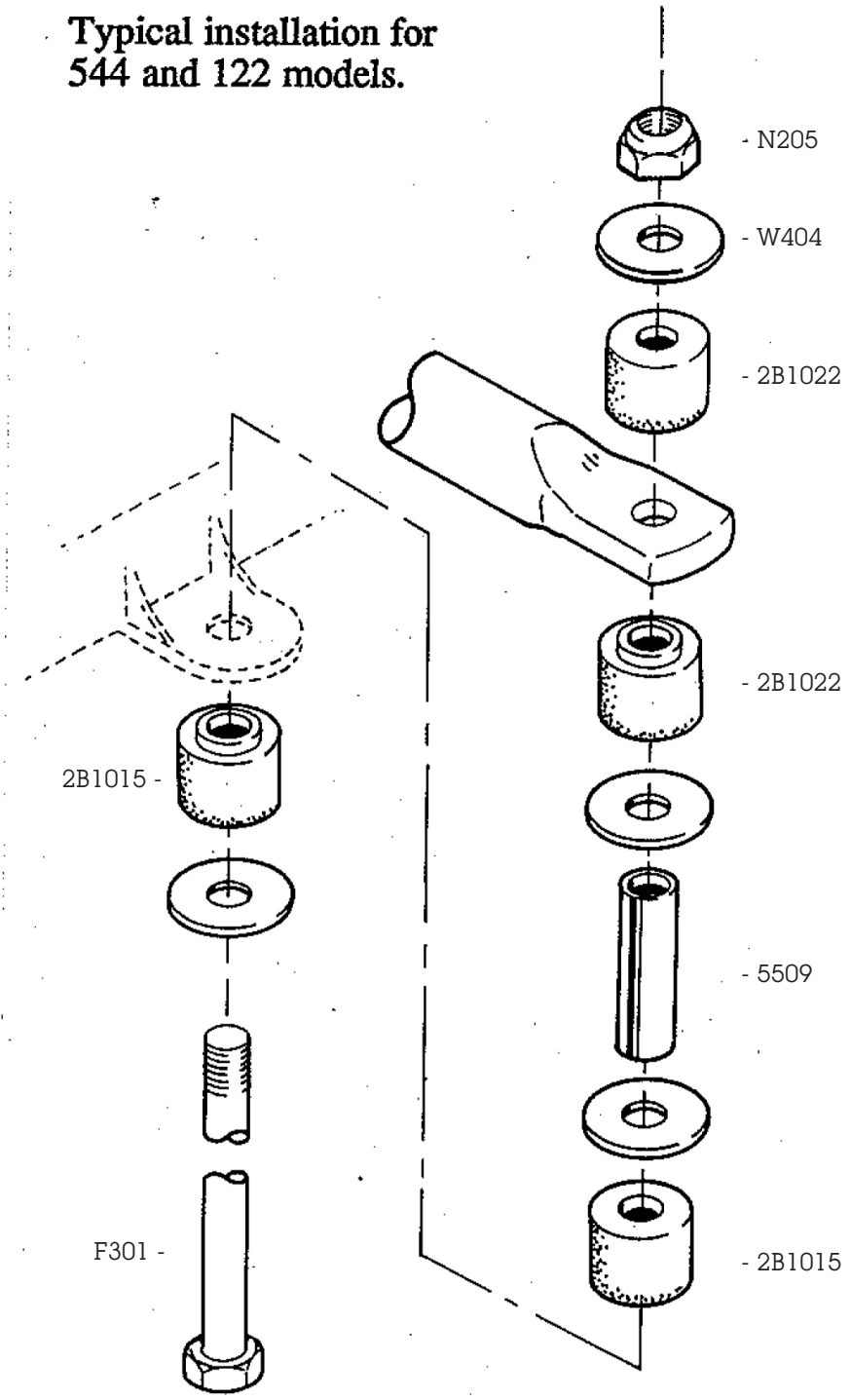
- 4 To install simply reverse the process of removing the original sway bar. Make sure ALL bolts are started before you tighten any of them.

- 5 **CAUTION:** When tightening the end link grommets be careful not to over tighten. Failure to follow this procedure may result in broken end links. If you have a hard time starting the top nut on the end link, you can use a small jack to lift the suspension into place.



INSTALLATION

Typical installation for
544 and 122 models.



WARRANTY

One Year Limited Warranty

ipd warrants to the original purchaser that the parts manufactured and/or sold by ipd (the Product) is free from defects in material and workmanship under normal use. ipd warrants that the Product will perform substantially in accordance with the specifications set forth in the documentation provided with it. The above express warranties are made for a period of the lesser of 12,000 miles or 12 months from the date the Product is installed in your vehicle.

Any improper use, operation beyond capacity, substitution of parts not approved by ipd in writing, any alteration or repair by others, or any removal, defacing or altering of the identification shall void this warranty. There is no warranty on high-performance or race related parts due to the nature of usage.

The purchaser shall notify ipd at 1-800-444-6473 of any defect within the warranty period no later than thirty (30) days after purchaser discovers the defect. Should any failure to conform to this warranty appear within the warranty period, ipd shall, on notification, correct the nonconformity at its option, either by repairing any defective part, or by making available, FOB ipd's plant, a repaired or replacement part. The purchaser must insure any defective item being returned because ipd does not assume risk of loss or damage while in transit. No payment or reimbursement shall be made for installation, removal, transportation or other charges. The remedies set forth in this instrument are exclusive, and the liability of ipd with respect to any sale shall not exceed the price of the product on which the liability is based.

EXCEPT AS STATED OTHERWISE IN THIS WARRANTY, ipd MAKES NO WARRANTIES, EXPRESS OR IMPLIED, INCLUDING WITHOUT LIMITATION, ANY WARRANTY OF MERCHANTABILITY OR FITNESS FOR A PARTICULAR PURPOSE. Some states do not allow limitations on how long an implied warranty lasts, so the above limitation may not apply to you. ipd shall not in any case be liable for special, incidental, consequential, indirect, or other similar damages arising from any breach of these warranties even if ipd or its agent has been advised of the possibility of such damages. Some states do not allow the exclusion or limitation of incidental or consequential damages so the above limitation or exclusion may not apply to you.

This warranty is governed by the laws of the State of Oregon.

