

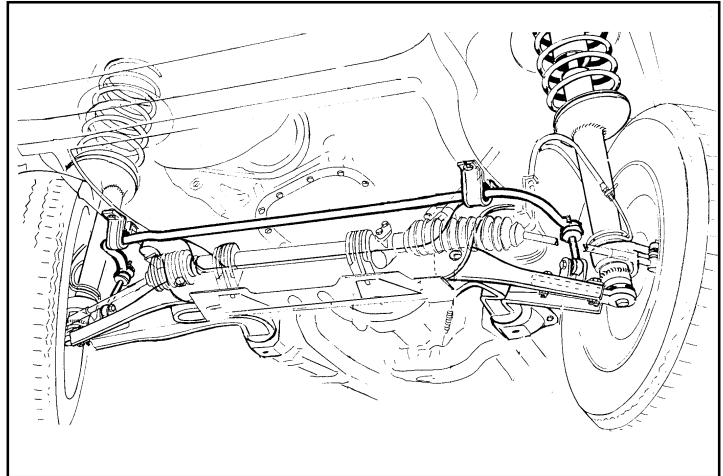
Dedicated to improving vehicle fun, safety & performance

Installation Instructions

Front Sway Bar Kit for 200, 700, 900 Series

ipd Hardware Kits
SBK06, SBK06W8

1" diameter bar



INTRODUCTION

Thank you for purchasing this **ipd** front sway bar kit. This kit is designed to improve the handling characteristics of your Volvo by reducing the body roll and balancing the weight transfer during cornering. The sway bar kit is engineered for long life and trouble-free performance. For maximum suspension control, use this kit along with our rear sway bar kit.

All the hardware needed for installation is included in this kit. Refer to the PARTS LIST in these instructions to identify the parts. The following are suggesting to complete the installation procedures.

SUGGESTED TOOLS

- 3/8" socket set
- Open/box end wrench set (metric for 1975-on)
- Floor jack and jack stands or ramps (hoist if available)

SAFETY WARNINGS

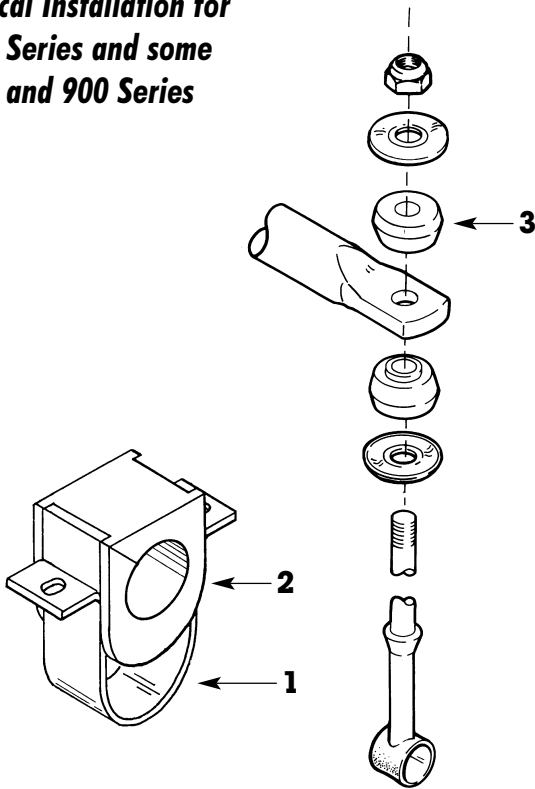


- Always support the vehicle with jack stands before working underneath
- Use only the parts supplied by **ipd** to install this kit
- Check ALL the fasteners for tightness before and after road testing the vehicle
- Do not use air impact wrench when re-installing bolts as stripped threads may result

PARTS LIST

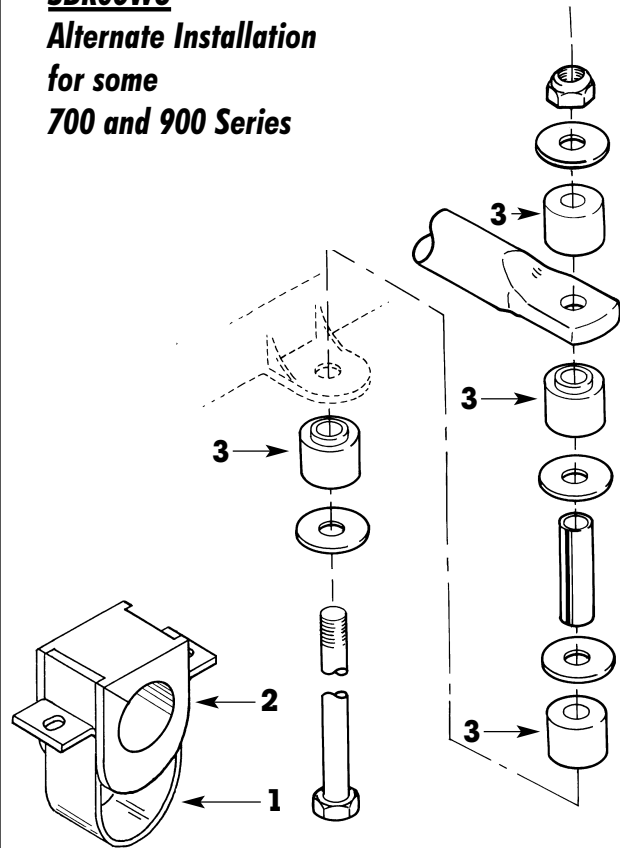
SBK06

**Typical Installation for
200 Series and some
700 and 900 Series**



SBK06W8

**Alternate Installation
for some
700 and 900 Series**



Hardware Kit SBK06

Part #	Description	Qty
1. B170	Saddle bracket	2
2. 2B1100	Bushing, poly	2
3. 2B1020	Grommet, poly	4
4. AQUALUBE	Grease	1

Hardware Kit SBK06W8

Part #	Description	Qty
1. B170	Saddle bracket	2
2. 2B1100	Bushing, poly	2
3. 2B1020	Grommet, poly	8
4. AQUALUBE	Grease	1

Lifetime Warranty

All sway bar components are under a lifetime warranty to the original purchaser. Proof of purchase must be provided with any request for warranty parts replacement. Note: No warranty on vehicles used for any type of competition, i.e. autocross and racing.

Satisfaction Guaranteed

or your money back. If you are not satisfied with the improvement in handling of your vehicle, simply remove the sway bar and return it to us for a full refund. Please include a copy of your invoice showing what you paid for the bar.

The following instructions must be followed in the order listed to ensure a proper installation and to preserve the ipd warranty.

INSTALLATION

1 Raise the vehicle or drive up on ramps.

Put the vehicle in Neutral. Put a floor jack under the crossmember and raise the vehicle so that the tires are off the floor.

WARNING: Always use jack stands when working under a raised vehicle.

2 Put jack stands under the frame.

Push the side of the body to make sure that the vehicle is stable.

3 Remove splash pan.

Some cars may have had the splash pan removed. It's located directly below the radiator (see dotted line in illustration). It's black plastic and is held on by eight 10mm bolts.

4 Remove OE sway bar and brackets.

Disconnect end-links at the end of each arm first (17mm nut). Then remove saddle brackets which hold the sway bar to the center of the frame. Remove old rubber grommets from end links.

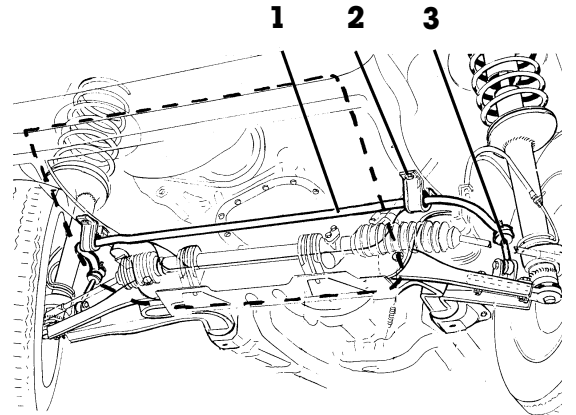
5 Install the saddle brackets and bushings.

Coat the inside of the bushings with the provided grease. This will assure quiet operation and longest bushing life. Place the bushings on the bar using the old bar to line up proper spacing.

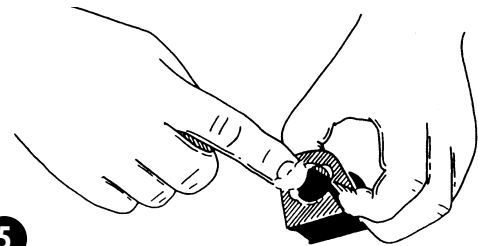
Note: the dip in the sway bar always goes down (away from the engine).

6 Position the urethane grommets.

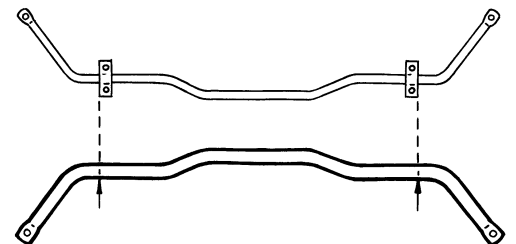
Place one grommet on each end link where appropriate. Leave the last grommet for positioning on top of the sway bar end. Reuse old cup-washers and nut.



- 1. Sway bar
- 2. Saddle bracket
- 3. End link



5



5

INSTALLATION

7 Reinstall swaybar.

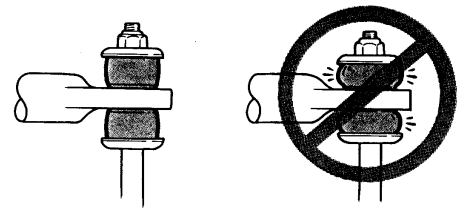
Use the new **ipd** bushings and saddle brackets. Install top grommets, cup washers and nuts. Make sure ALL bolts are started before you tighten any of them.

Hint: If you have a hard time starting the top nut on the end link, you can use a small jack to lift the suspension into place. Be careful not to upset the car off the jack stands.

8 After assembling both end links, tighten all nuts and bolts.

DO NOT overtighten end link bolts. Refer to drawing for guidance.

CAUTION! Over tightening on the grommets may cause premature failure of grommets and/or end link bolts.



8

9 Lower the vehicle.

After everything is back on and tightened, lower the front end back down. Turn the wheels from lock to lock to make certain all steering parts are free from obstruction. It is common to see tire rub marks on the arms of the sway bar if you have oversized tires. This does not hurt either the sway bar or the tire.

CAUTION! After road testing, re-check all fasteners for proper tightness.

700 SERIES SUPPLEMENT

Some 700 series cars have a vacuum reservoir which interferes with the larger diameter sway bar.

To install our **ipd** sway bar, bend the two brackets that hold the reservoir up at approximately a 45° angle. We recommend using a hose clamp on the hose going to the reservoir if yours doesn't already have one.

When the bar is installed, the reservoir should not rest against the sway bar. If it does, bend the bracket a little more.

