

VOITVO

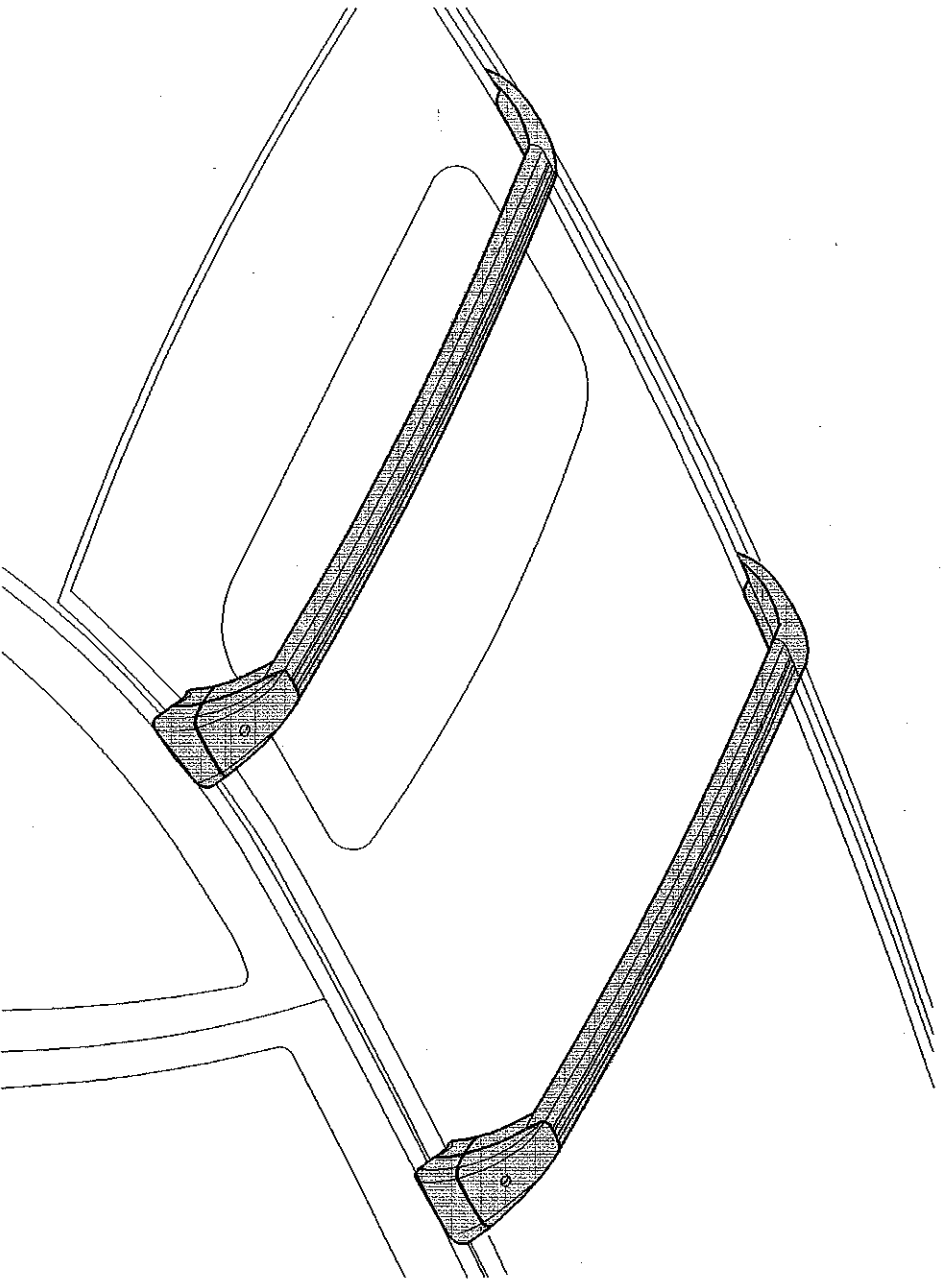
Volvo Car Corporation
Göteborg, Sweden

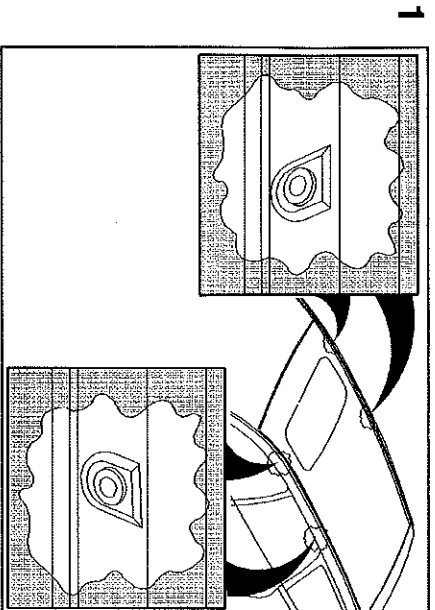
Installation instructions, accessories

S40 (04-) / V50

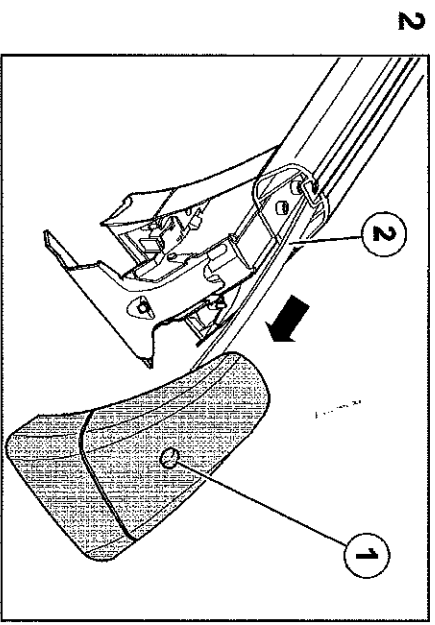
Section	Group	No.	Year	Month
8	89	0332	2003	05

Lastbågar
Load carriers
Barres de toit
Lastenträger
Portacargas
Lastdragars
Kattotelineet
Portapacchi
Grades do tejadilho
荷物キャリア

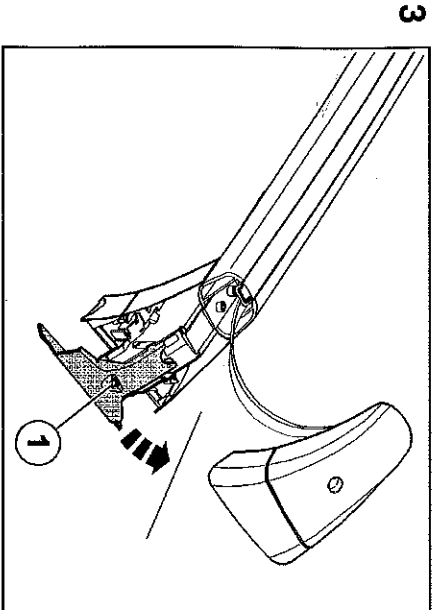




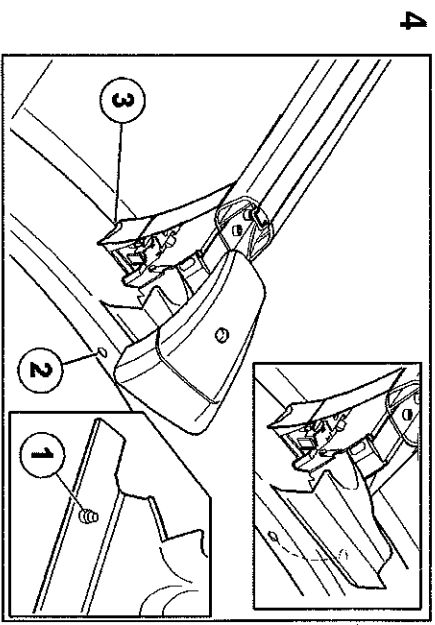
J8903239



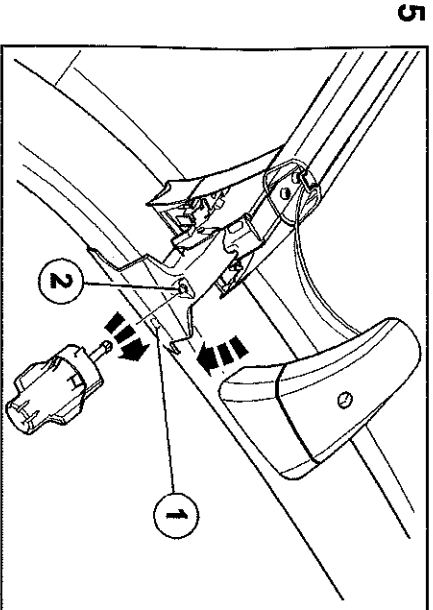
J8903240



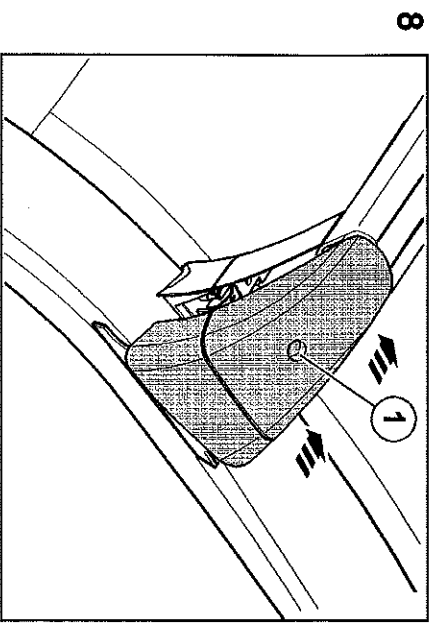
J8903242



J8903245



J8903244



J8903245

English

INTRODUCTION

- **NOTE!** Read through the entire text before carrying out any work.
- The front page gives the date of this edition and the edition it replaces
- The second page shows the tools needed for the installation and the contents of the installation kit
- The illustrations display the procedure in order of operation. The order of operation is repeated in the text section
- Cut out the text page in order to follow the illustrations and text at the same time.

Load carriers

- 1 – Open all the doors
 - Locate the mounting points for the load carriers in the door frames. The mounting points comprise countersunk rivet nuts in the door frames
 - Clean around the rivet nuts and the roof where the securing devices and feet for the load carriers will rest.

NOTE! Clean carefully. Do not damage the paintwork.

- 2 – Remove the covers from the load carriers. Turn the clip (1) 90° anti-clockwise. Then pull off the cover, which is secured to the load carrier with a plastic band (2) to prevent it falling off
 - Check the decal on the mounting. Ensure that the correct load carrier is in the correct position. The mountings are marked:
 - FL = front left
 - FR = front right
 - RR = rear right
 - RL = rear left.

- 3 – Take one of the load carriers
 - Slacken off the screw (1) a little on either side of the load carrier mounting
 - Pull out the mounting. Fold the mounting up.

- 4 – Position one load carrier foot at the roof edge. The lug (1) on the mounting must be aligned with the rivet nut (2) in the door frame
 - Carefully lower the other load carrier foot against the roof edge on the other side
 - Check that the small radius (3) on the load carrier foot is in contact with the corresponding curvature on the top of the roof edge.

- 5 – Lower the mounting towards the roof edge.
NOTE! Do not damage the paintwork.

- Pull out the mounting so that the lug (1) is free of the roof edge. Slacken off the screw (2) if necessary
- Slide the mounting in towards the upper door frame. The lug must align in the rivet nut in the door frame. Adjust the load carrier foot sideways if necessary
- Take the torque wrench from the kit. Press the mounting against the car. Finger-tighten the screw (2) for the mounting. The lug (1) must not fall out of the rivet nut
- Cross to the other side and repeat the procedure.

- 6 – Check that the load carrier foot is in contact with the roof edge. See point 4
 - Tighten the screw for the mounting. Tighten to 2 Nm (1.5 lbf. ft).

NOTE! Always use the torque wrench supplied. Tighten until the torque wrench clicks over.

- Cross to the other side and repeat the procedure.

- 7 – Repeat points 3–6 for the other load carrier.

- 8 – Reinstall the covers over the ends of the load carriers. Turn the retaining clip (1) 90° clockwise.
Hint: We recommend the use of the Volvo "One Key" locking system for locking the cover and therefore any accessories that are to be secured in the T-groove.