



Dedicated to improving vehicle fun, safety & performance



Installation Instructions

Front Anti-Sway Bars
850 all, S70 all,
V70 1998-2000, C70 1998-2004
ipd #109445, 104573, 115253



SUGGESTED TOOLS

- Hoist
- Metric wrenches
- Metric sockets

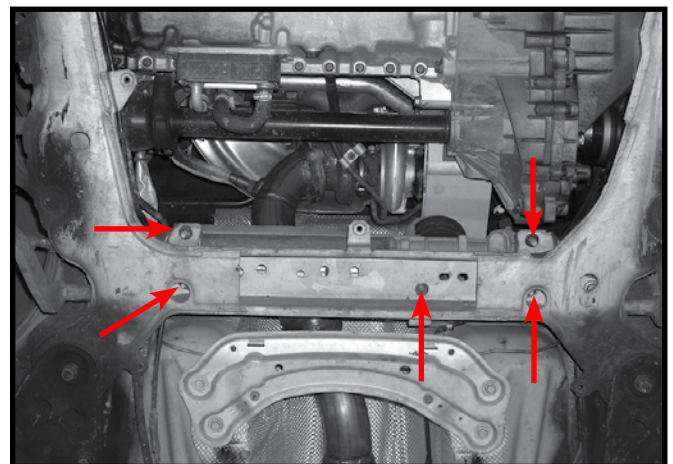
SAFETY WARNINGS



- Always support the vehicle with jack stands before working underneath
- Use only the parts supplied by ipd to install this kit
- Check ALL the fasteners for tightness before and after road testing the vehicle
- Do not use air impact wrench when re-installing bolts as stripped threads may result

REMOVAL

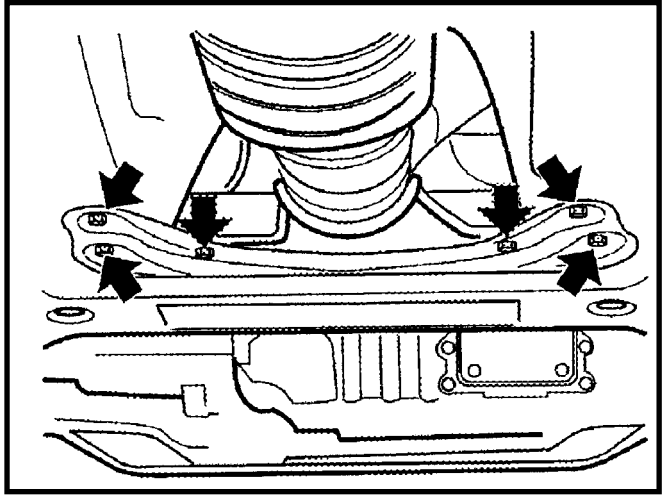
- 1** Raise car on hoist. Position hoist arms on the frame behind the engine subframe. Avoid placing the hoist on the rear sub-frame brackets.
- 2** If the vehicle is equipped with a skid plate or plastic splash guard, remove it. Remove the five steering rack bolts from below.



REMOVAL

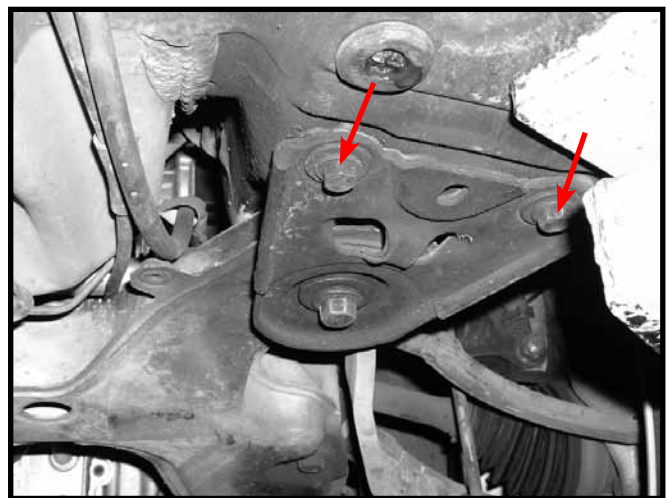
- 3** On 850 and 70 series (1993-2000) remove the fluid line clips at front and rear of subframe.

On AWD models, remove the 4 bolts holding the front exhaust bracket to the body and the 2 bolts holding the bracket to the exhaust.



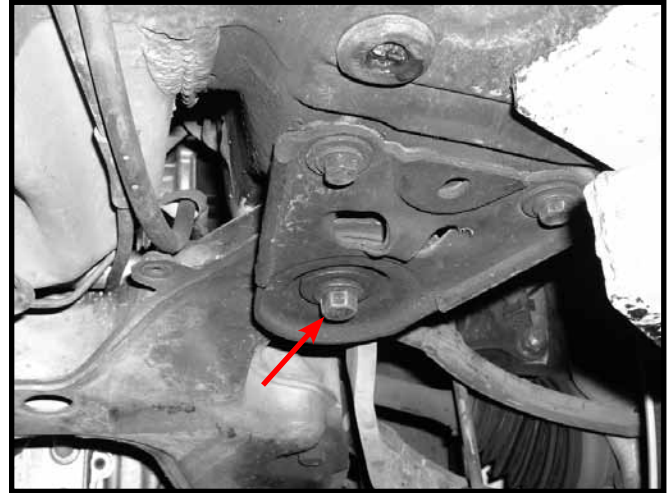
- 4** Place a screw jack or similar to the rear of the subframe to support it.

- 5** Remove four rear sub-frame bolts that secure the subframe brackets to body (two on driver side and two on passenger side).



REMOVAL

- 6 Remove two bolts securing brackets to subframe along with the washers (one on driver side and one on passenger side).



- 7 Slacken front bolts in subframe about four full turns.
- 8 Lower the rear of the subframe by lowering the screw jack. While lowering, ensure that the steering rack separates from the subframe. Pry the rack from the subframe if necessary. It is always a good idea to leave most of the weight of the subframe on the screw jack while working.
- 9 Remove the left and right end link from the sway bar. Use a T30 torx socket in the center of the end link fastener to hold the threads from turning and a 15mm on the nut.
- 10 Remove the sway bar U-bracket bolts (14mm) on the left and the right sides.

- 11 Once the bar is loose from the subframe the bar may be withdrawn from the subframe. This may take some careful manipulation so don't be afraid to pull down on the subframe for additional clearance.



REMOVAL

- 12 Be careful around the EVAP canister hoses.

Note the location of hoses above and below the bar.



- 13 Make a note how the bar is fit onto the subframe. It is important to orient the new bar correctly to clear the steering arms etc.



INSTALLATION

- 1 Position the new bar into place in the subframe.
- 2 Assemble the new bushings and new U-brackets onto the new bar and lube the bushings with the supplied lubricant. Locate the bushings and U-brackets over the holes in the subframe install the four bolts that were removed. Slide the U-brackets and bar as far toward the rear of the car as possible. Then tighten bolts to 37ft.lbs.
- 3 Reconnect the endlinks to the sway bar. Tighten to 44ft.lbs.
- 4 Raise rear of subframe with the screw jack. Guide the steering rack studs into the sub-frame as it is raised.

REMOVAL

- 5 Once the subframe is raised, install the two long rear subframe bolts through the brackets along with the four bracket stay bolts but do not tighten yet.
- 6 Tighten the left subframe bolts front and rear to 77ft.lbs. And then an additional 120 degrees. Now tighten the right side bolts in the same fashion. Don't forget to tighten the front bolts that were loosened.
- 7 Tighten the subframe bracket bolts on both sides to 37 ft.-lbs.
- 8 Tighten the five steering rack nuts from Step 2 to 37 ft.-lbs.
- 9 Re-attach the fluid line bracket bolts and tighten front to rear. (1993-2000)
- 10 Lower car to ground and make sure the new bar avoids all the suspension components.
- 11 Have the car aligned.

NOTE

ipd's front sway bar for 850 & 70 series models from 1993-2000 feature a dual hole moment arm design. This allows you to adjust the stiffness of the front bar to suite your driving style. Installing the endlink into the rear hole increase sway bar stiffness by approx. 15% more than our standard single hole front bar which further reduces oversteer and promotes flatter cornering. This is commonly referred to as a 'tighter' setting. Installing the endlink into the forward hole will provide a 'looser' setting and allows a bit more roll and understeer. Either setting will provide a far more neutral handling suspension than the stock bars offered. For those who are more spirited in their driving or perhaps compete in autocross or similar events the tighter setting is likely the more desirable. For those who are more daily driver oriented and still want improved handling but not to the point of competitive driving, the looser setting is likely more desirable.



One Year Limited Warranty

ipd warrants to the original purchaser that the parts manufactured and/or sold by ipd (the Product) is free from defects in material and workmanship under normal use. ipd warrants that the Product will perform substantially in accordance with the specifications set forth in the documentation provided with it. The above express warranties are made for a period of the lesser of 12,000 miles or 12 months from the date the Product is installed in your vehicle.

Any improper use, operation beyond capacity, substitution of parts not approved by ipd in writing, any alteration or repair by others, or any removal, defacing or altering of the identification shall void this warranty. There is no warranty on high-performance or race related parts due to the nature of usage.

The purchaser shall notify ipd at 1-800-444-6473 of any defect within the warranty period no later than thirty (30) days after purchaser discovers the defect. Should any failure to conform to this warranty appear within the warranty period, ipd shall, on notification, correct the nonconformity at its option, either by repairing any defective part, or by making available, FOB ipd's plant, a repaired or replacement part. The purchaser must insure any defective item being returned because ipd does not assume risk of loss or damage while in transit. No payment or reimbursement shall be made for installation, removal, transportation or other charges. The remedies set forth in this instrument are exclusive, and the liability of ipd with respect to any sale shall not exceed the price of the product on which the liability is based.

EXCEPT AS STATED OTHERWISE IN THIS WARRANTY, ipd MAKES NO WARRANTIES, EXPRESS OR IMPLIED, INCLUDING WITHOUT LIMITATION, ANY WARRANTY OF MERCHANTABILITY OR FITNESS FOR A PARTICULAR PURPOSE. Some states do not allow limitations on how long an implied warranty lasts, so the above limitation may not apply to you. ipd shall not in any case be liable for special, incidental, consequential, indirect, or other similar damages arising from any breach of these warranties even if ipd or its agent has been advised of the possibility of such damages. Some states do not allow the exclusion or limitation of incidental or consequential damages so the above limitation or exclusion may not apply to you.

This warranty is governed by the laws of the State of Oregon.

