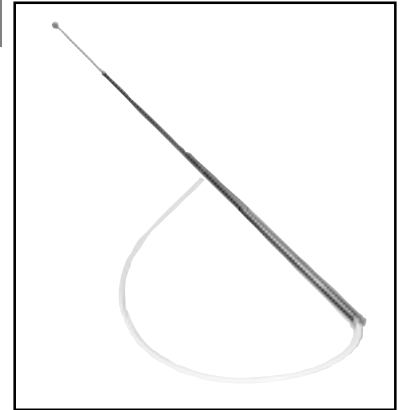


Dedicated to improving vehicle fun, safety & performance

## Installation Instructions

### Antenna Mast for 700 and 900 Series

ipd #1384561 and #1384544



### SUGGESTED TOOLS

- Phillips screwdriver
- 6" crescent wrench
- Torx drivers
- Small wrenches

### INSTALLATION

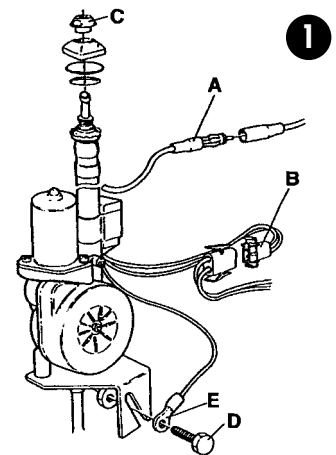
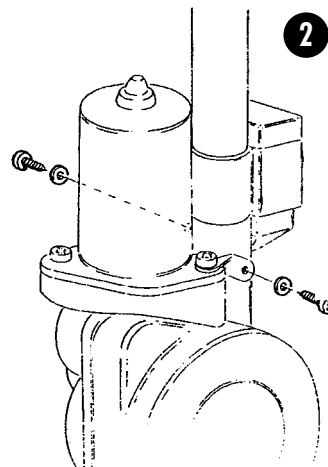
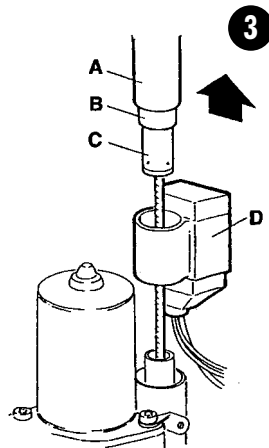
**1** Remove the antenna from the car by disconnecting and removing:

- A. Antenna cable, B. Cable harness, C. Antenna top screw,
- D. Attachment screw, E. Ground cable

**2** Remove the two screws that fix the antenna tube to the motor housing.

**3** Pull up the:

- A. Antenna tube
- B. Plastic tube
- C. Antenna rod
- D. Relay



# INSTALLATION

- 4 Pull out the : antenna rod (A) and the drive band (B) from the motor. Notice the position of the plastic foot in the motor housing.

*Note: If the drive band is shorter than the replacement part, remove the side cover and take out the broken piece.*

- 5 Fit the new antenna rod (A) into the relay (B).

- 6 Insert the drive band (C) into the motor housing. This requires gentle pressure.

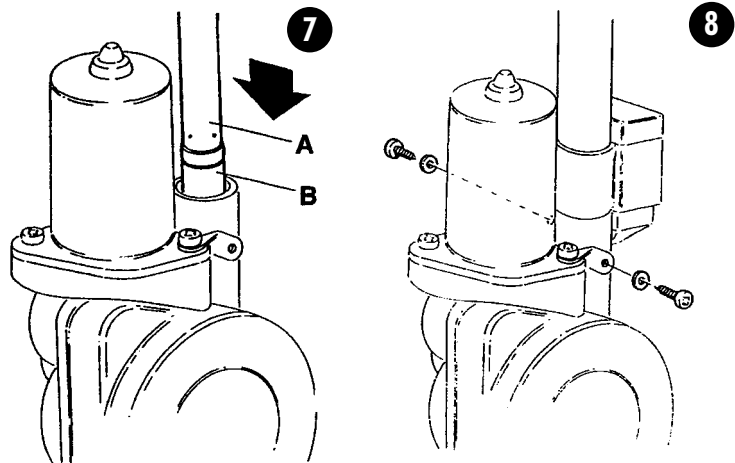
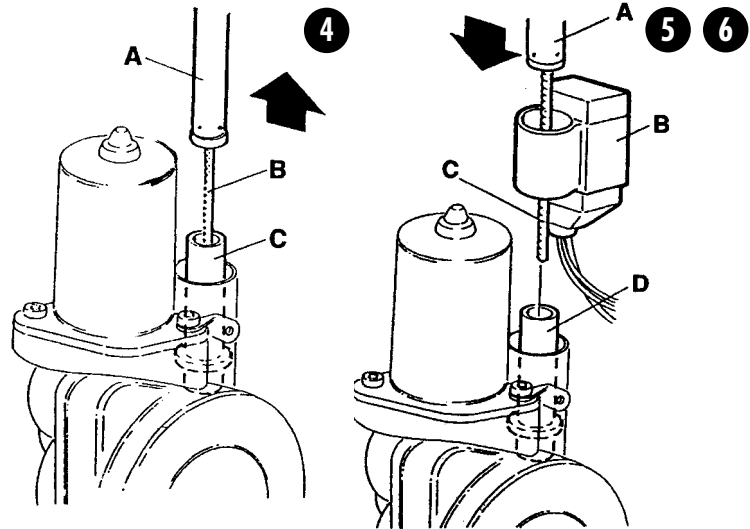
*Note: Make sure that the plastic foot (D) is properly positioned.*

- 7 Press the drive band into the motor until the antenna rod (A) meets the plastic foot (B).

- 8 Push down the antenna tube and the plastic tube. Fit the two screws.

- 9 Connect the cable harness and the ground cable.

- 10 Check function with ignition key in the radio position.



## Radio Controlled Antenna:

When the radio is turned on, the antenna goes up. When the radio or ignition is turned off, the antenna goes down.

## Radio Controlled Antenna with Extra Ground:

The antenna goes up and down when the control is operated.

When the ignition is turned off, the antenna goes down.

When the ignition is turned on, and the control is in the "UP" position, the antenna goes up.

- 11 Install the new antenna. Reconnect the antenna cable, cable harness, antenna top screw, attachment screw, and ground cable. If the mast does not retract completely, there is most likely some debris in the spool mechanism.

